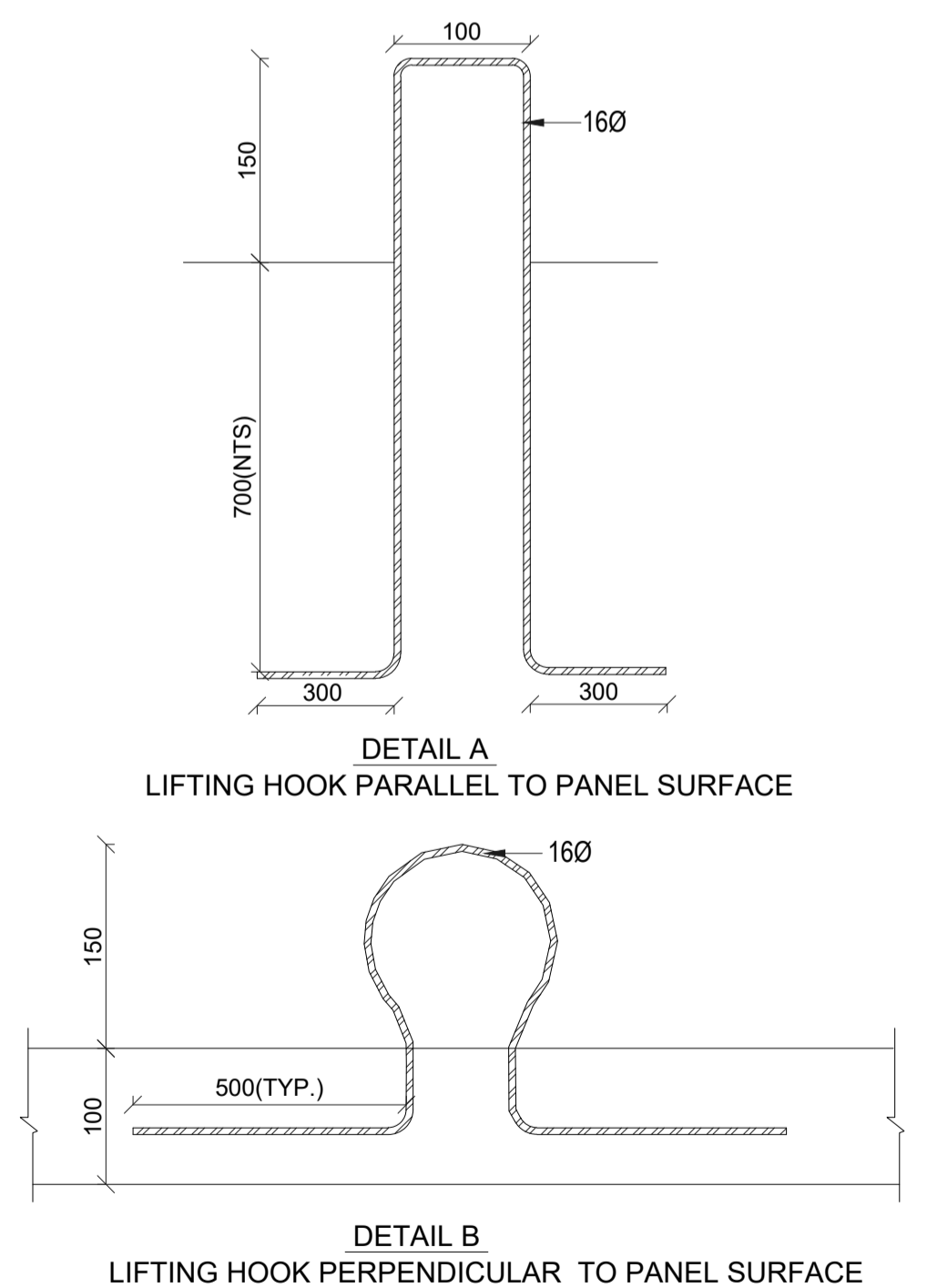
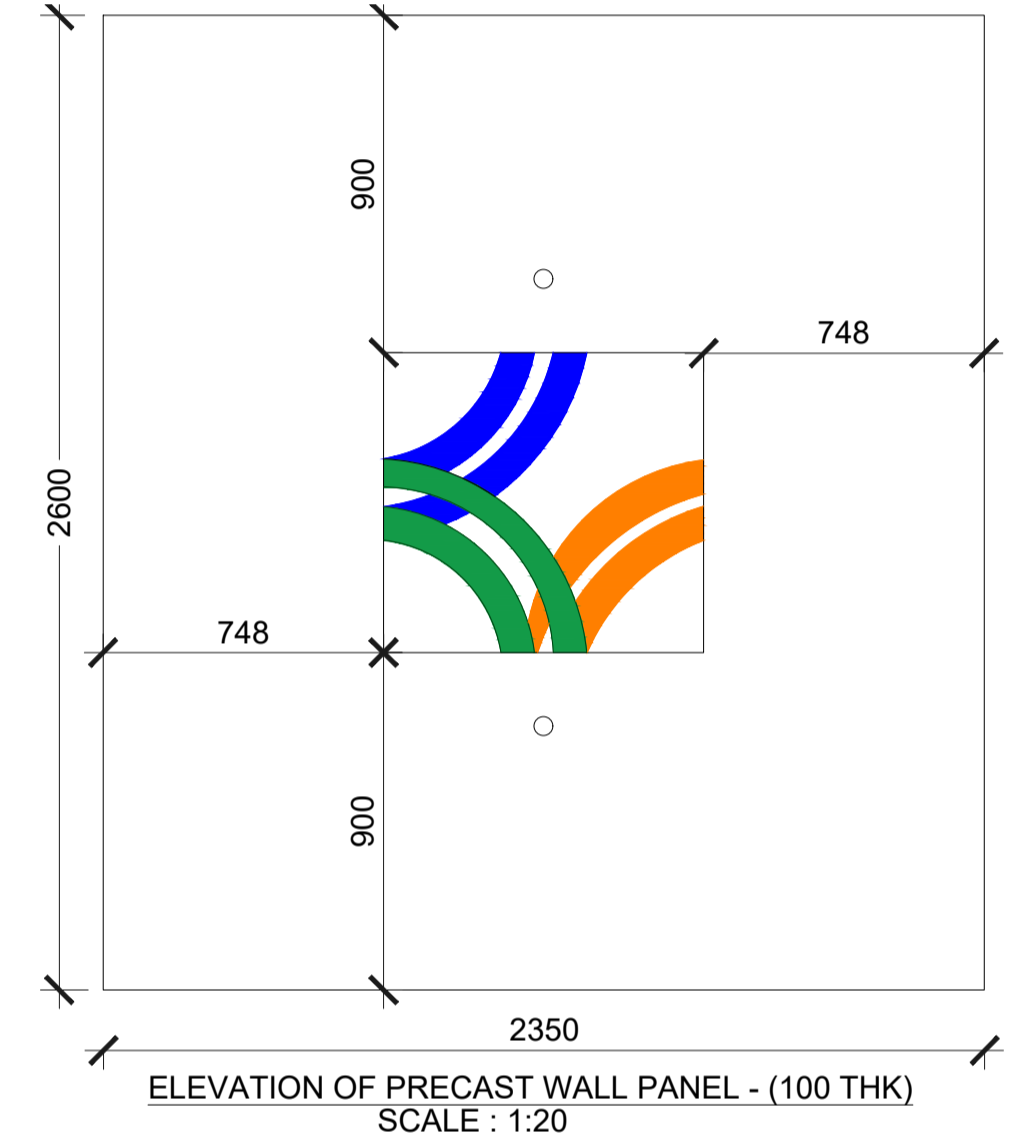


BAR MARKED	SHAPE	DESCRIPTION	REMARKS
1		8Ø @ 150 C/C.	
2		8Ø @ 200 C/C.	
3		8Ø @ 150 C/C.	
4		8Ø @ 200 C/C.	
5		8 No 16Ø	
6		8Ø @ 175 C/C.	
7		8Ø @ 175 C/C.	
8		2L-8Ø @ 200 C/C.	
9		3-12Ø	
10		12Ø @ 125 C/C.	
11		12Ø @ 125 C/C.	



- NOTE:-
- ALL DIMENSIONS ARE IN MILLIMETERS UNLESS OTHERWISE SPECIFIED
 - FEASIBILITY OF THIS STRUCTURE SHALL BE CHECKED AT SITE IN EVERY RESPECTIVE LOCATION BY ENGINEER INCHARGE BEFORE FABRICATION AND ERECTION.
 - ALL R.C.C. WORK IS TO BE DONE IN ACCORDANCE WITH SPECIFICATIONS LAID DOWN IN IS:456-2000.
 - PARTICULAR CARE MUST BE TAKEN TO ENSURE THAT-
 - CLEAR COVER TO REINFORCEMENT TO BE MAINTAINED IN
 - FOUNDATION : 50mm
 - COLUMN : 40mm
 - PLINTH BEAM : 30mm
 - PRECAST PANEL SLAB : 25mm
 - ANCHORAGE /DEVELOPMENT LENGTH(Ld) SHALL BE AS FOLLOWS.
 - TENSION =68Ø
 - COMPRESSION = 55Ø
 - WHERE Ø = BAR DIA
 - ALL CEMENT CONC. IS TO BE MECHANICALLY MIXED AND VIBRATED.
 - ALL BINDERS / STIRRUPS / LINKS SHALL BE EFFECTIVELY TIED WITH MAIN REINFORCING BARS.
 - GRADE OF CONCRETE SHALL BE M-35 FOR R.C.C AND M-15 FOR P.C.C.
 - ALLOWABLE BEARING CAPACITY OF SOIL HAS BEEN TAKEN AS 209 kN/m² at 1.7m BELOW NATURAL GROUND LEVEL. SAME SHALL BE VERIFIED AT SITE BEFORE COMMENCEMENT OF FOUNDATION CASTING.
 - IF SOIL AT SITE IS HAVING LOWER BEARING CAPACITY, THE FOUNDATION DESIGN CAN BE ALTERED WITH THE APPROVAL OF COMPETENT AUTHORITY.
 - ALL REINFORCEMENT SHALL BE OF Fe500 GRADE CONFORMING TO IS:1786.

LOAD FOR SOLAR PANEL & SHS SECTION : 150 Kg LOAD IS CONSIDERED IN THE DESIGN ON EACH COLUMN FOR SOLAR PANEL INSTALLATION.

KRIDE LOGO TO BE ETCHED ON PRECAST PANEL AS PER CLIENT REQUIREMENT

ALL STEEL FRAMES TO BE MS GALVANIZED.

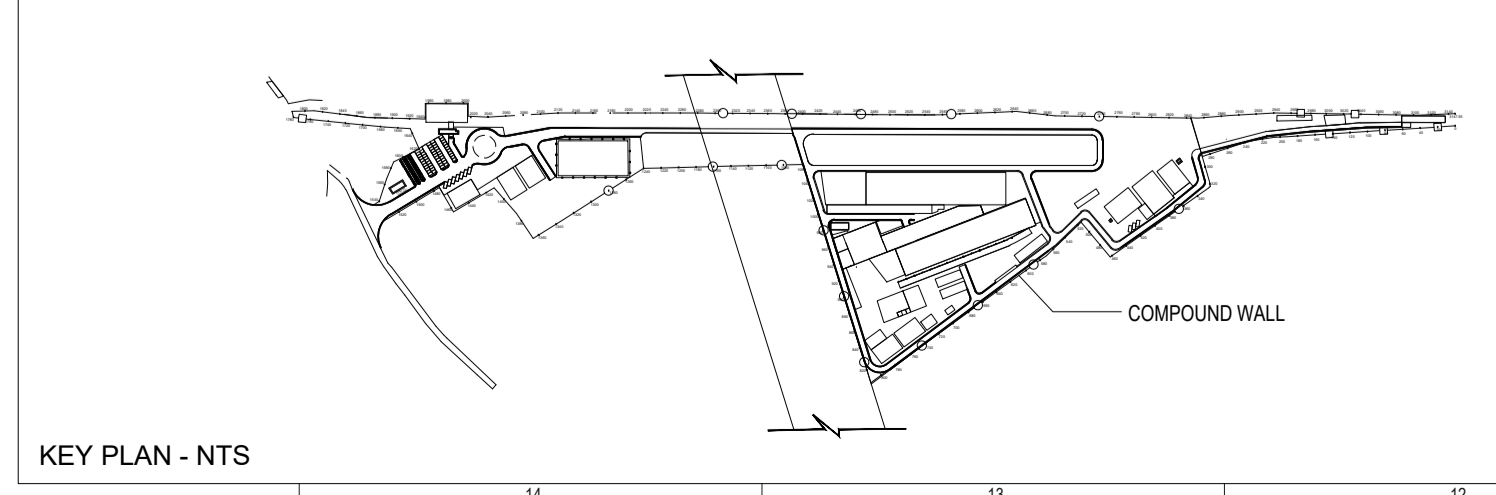
GAP BETWEEN PRECAST PANEL, COLUMN AND PLINTH BEAM GROVE TO BE FILLED WITH MORTAR/EPOXY TO AVOID ANY ROCKING /KNOCKING OF PANELS.

LEGEND :

- F - FOOTING
- C - COLUMN
- TYP - TYPICAL
- NGL - NATURAL GROUND LEVEL

GOOD FOR CONSTRUCTION

GOOD FOR CONSTRUCTION DRAWING ISSUED ON THE BASIS OF GC LETTER NO GC/BSRP/KRIDE/BARSYL/2025/36, DATED: 09.04.2025.



REV.NO.	DATE	DESCRIPTION
1	15.06.2025	ISSUED AS GOOD FOR CONSTRUCTION
0	14.04.2025	ISSUED AS GOOD FOR CONSTRUCTION

DETAILED DESIGN CONSULTANT DDC			GENERAL CONSULTANT (AECOM-EGIS-WSP)			KRIDE		
DESIGNATION	SIGNATURE	DATE	DESIGNATION	SIGNATURE	DATE	DESIGNATION	SIGNATURE	DATE
PREPARED BY	STRUCTURAL ENGINEER	[Signature]	15.6.2026	COUNTER SIGN	PROJECT DIRECTOR			
CHECKED BY	SR.MANAGER STRUCTURES	[Signature]	15.6.2026	SIGNATURE	STRUCTURE			
APPROVED BY	HEAD CIVIL	[Signature]	15.6.2026	DATE				

DETAILED DESIGN CONSULTANT DDC			GENERAL CONSULTANT (AECOM-EGIS-WSP)			KRIDE		
DESIGNATION	SIGNATURE	DATE	DESIGNATION	SIGNATURE	DATE	DESIGNATION	SIGNATURE	DATE
PREPARED BY	STRUCTURAL ENGINEER	[Signature]	15.6.2026	COUNTER SIGN	PROJECT DIRECTOR			
CHECKED BY	SR.MANAGER STRUCTURES	[Signature]	15.6.2026	SIGNATURE	STRUCTURE			
APPROVED BY	HEAD CIVIL	[Signature]	15.6.2026	DATE				

EMPLOYER :		PROJECT :		DRAWING TITLE :		DRAWING NO :		SCALE - AS SHOWN				PRELIMINARY DWG(P), DEFINITIVE DWG(D), CONSTRUCTION DWG(C) AS BUILT DWG(B), SHOP DWG(S), MANUFACTURED DWG(M)	
RAIL INFRASTRUCTURE DEVELOPMENT COMPANY(KARNATAKA) LIMITED		BENGALURU SUBURBAN RAILWAY PROJECT (BSRP) KRIDE SOLADEVAHALLI DEPOT		DIMENSION DETAILS OF COMPOUND WALL, COLUMN, FOUNDATION AND REINFORCEMENT DETAILS		SDH -DP-CMW-03-STR-DD-001		SHEET NO. DATE REVISION DWG STATUS				SHEET SIZE	
								1 OF 1 14.04.2025 1 c				A1	